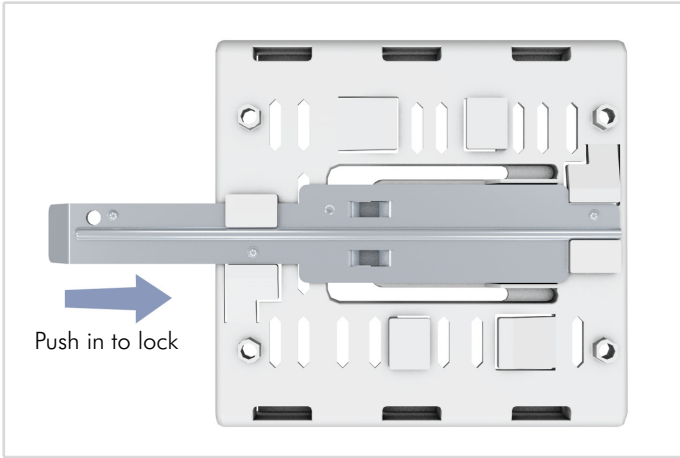
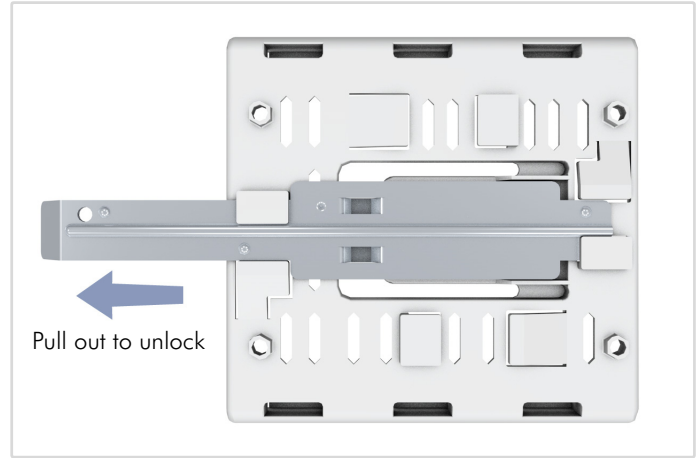


Bracket Stop Operation

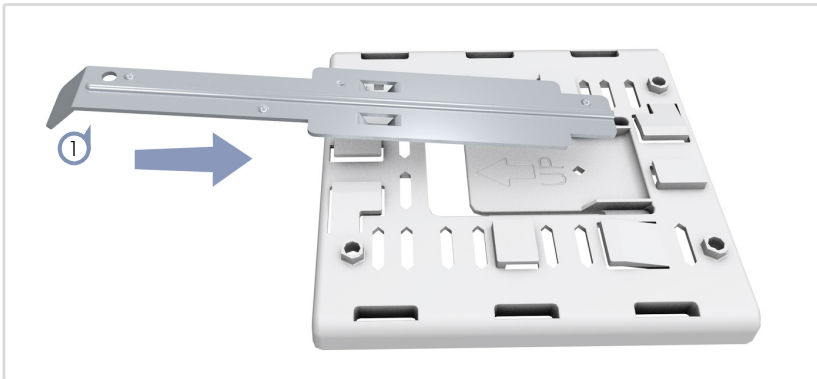
Locked Position



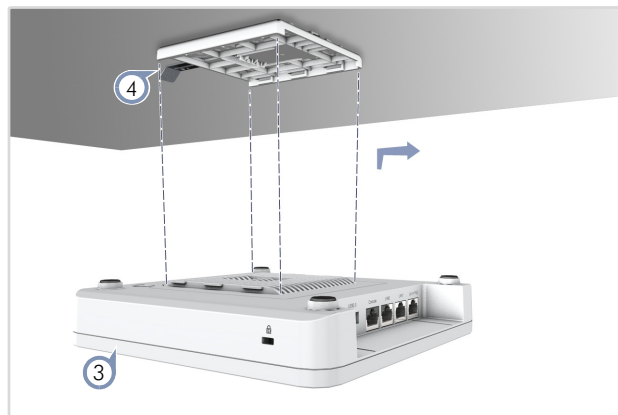
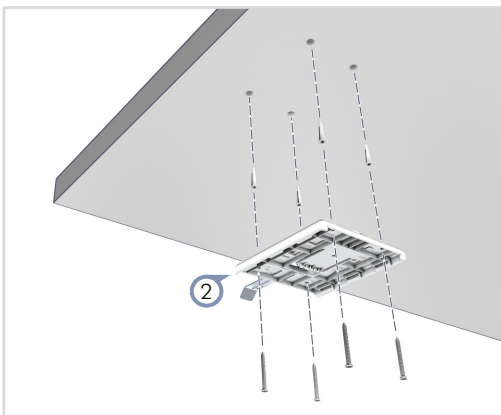
Unlocked Position



Mounting the EAP101 on a Ceiling Using the Bracket Stop



1. Install the Bracket Stop in the mounting bracket. Be sure to install only in the illustrated orientation with the Bracket Stop's tab pointing in the mounting bracket "UP" direction.



2. Install the mounting bracket on the ceiling with the Bracket Stop inserted in the bracket. Make sure the Bracket Stop is in its unlocked position.
3. Place the AP over the mounting bracket's flanges and then slide it onto the bracket until it snaps into its secured position.
4. Push the Bracket Stop into its locked position.